

# Faber Isoline

Perfect and complete integration  
in Tilt & Turn windows



## Mono control



*The gently curved colour co-ordinated fascia gives Faber Isoline an elegant and timeless look that blends perfectly with the window*



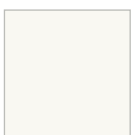
*The elegant colour co-ordination gives Faber Isoline a unique and harmonious appearance*



## Isoline for the perfect window fit

- A tailor-made venetian blind for inward-opening Tilt & Turn windows
- Based on the reliable and well tested Faber Metalet 25 with its standard options:
  - Choice of 16 mm or 25 mm slats
  - Mono or dual control
- Faber Full Colour Concept
  - 200 colours plus a large number of perforated slats
  - Colour co-ordinated plastic components
  - Colour co-ordinated fascia

### Fascia colour range



White  
RAL 9016



Silver  
RAL 9006



Light brown  
RAL 8001



Dark brown  
RAL 8019



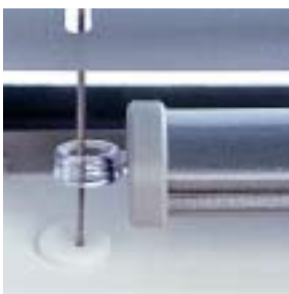
Anodised  
aluminium

## Dual control

*The side guides ensure that when the window is opened the blind remains firmly in place and follows the slant of the open window*



*The unique full colour concept gives an impressive visual effect*



**F**aber Isoline is the perfect blind for modern Tilt & Turn windows as it has been specially developed for recess fixing. In UPVC windows it is possible to fit onto the glazing bead itself. To ensure perfect integration with the window, the fascia is colour co-ordinated with the colour of the window frame and is supplied in a range of five colours: white, silver, light brown, dark brown and anodised aluminium.

### **Faber Metalet 25 – a well tested solution**

Faber Isoline is a newly developed venetian blind based on the popular Faber Metalet 25 construction – a well tried and tested system which will ensure that the Faber Isoline blind operates reliably and faultlessly.

Faber Isoline is available with two different control options. The mono control option uses the patented CTS

(Cord Take-up System), a conic system with lifting cords instead of tape – for efficiency and ease of operation. The dual control option is supplied with lifting cord and adjustment rod. Both operation options include the Faber quick tilt mechanism for fast and convenient operation.

### **Faber full colour concept**

Faber Isoline is available in the full Faber Metalet colour range for 16 mm and 25 mm slats in up to 200 different colours plus a large number of perforated slats. Faber Isoline is fully colour co-ordinated, meaning that the plastic components are colour co-ordinated with the venetian slat colour and the colour of the fascia. Altogether this provides maximum colour selection, giving a harmonious finish to the product.

### **Guide wire keeps the blind in place when tilting**

Faber Isoline is always supplied with guide wire. These are steel wires with transparent coating and run from the headrail of the blind down to the windowsill. This makes the Venetian blind an integral part of the window and ensures that when the window is opened or tilted, the blind remains firmly in place.

*The Isoline is an integral part of the window and remains firmly in place when tilting the window*



The many options within the product specification ensure that the Faber Isoline venetian blind is easily adapted to the specific needs of the customer.

# TECHNICAL SPECIFICATIONS

**Slats:** 16 mm width, 0.22 mm thickness  
25 mm width, 0.22 mm thickness

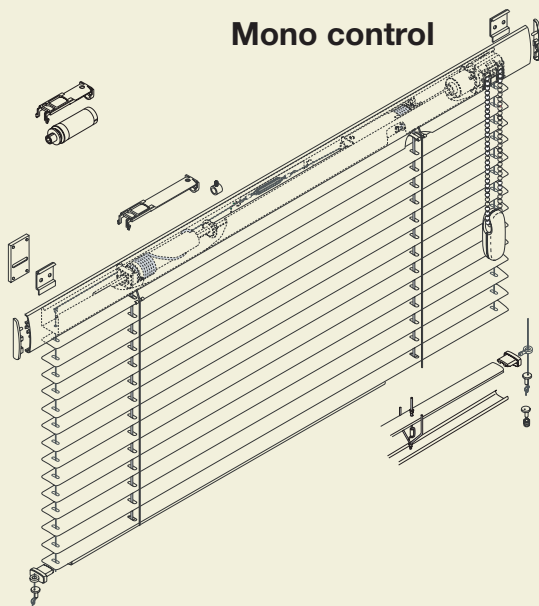
**Distances between slats:** 13.2 mm (16 mm slats)  
20.0 mm (25 mm slats)

**Maximum area:** 4 m<sup>2</sup>

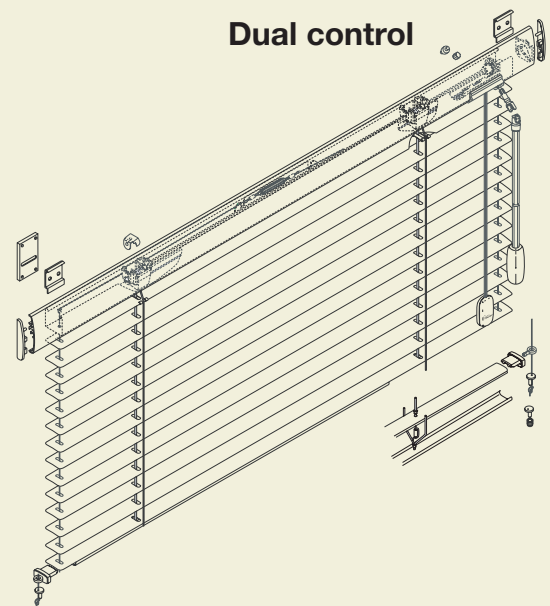
**Side Guide:** 1.0 mm steel wire with transparent coating

**Fascia:** As standard 80 mm wider than the venetian blind

<b>Stacking height:</b>	Blind drop	Stacking height	Stacking height
		16 mm slats	25 mm slats
1000 mm	80 mm	80 mm	80 mm
1200 mm	90 mm	85 mm	85 mm
1400 mm	100 mm	90 mm	90 mm
1600 mm	110 mm	95 mm	95 mm
1800 mm	115 mm	105 mm	105 mm
2000 mm	120 mm	110 mm	110 mm



	16 mm slats	25 mm slats
minimum width	650 mm	500 mm
maximum width	2000 mm	2000 mm
maximum drop	2500 mm	3500 mm



	16 mm slats	25 mm slats
minimum width	360 mm	360 mm
maximum width	2000 mm	2000 mm
maximum drop	2500 mm	3000 mm

